

1

About Spilled Beans and Shot Breezes

A New Word-level Approach to Idioms¹

JAN-PHILIPP SOEHN

Abstract

In this contribution we propose a new module for handling idioms and distributional idiosyncrasies within the framework of HPSG. Based on the concept by Richter/Sailer (1999) the new feature `COLL`(context of lexical licensing) plays the central role in our approach. We provide a way to handle decomposable and nondecomposable idioms and idioms containing bound words. Our module guarantees the co-occurrence of all idiom parts and of bound word and licensing context, respectively.

A prerequisite for our analysis is a means to select for particular elements in the lexicon. We introduce another feature, `LISTEME`, which gives each lexical item its unique identifier and makes it possible to select for a particular lexical word or phrase.

Then we briefly sketch how our proposal fits into the overall architecture of HPSG.

Finally, we compare our proposal with alternative approaches and give some ideas regarding further applications beyond idiomaticity.

¹The research to the paper was funded by the *Deutsche Forschungsgemeinschaft*. I am grateful to Stefan Müller, Christine Römer, Manfred Sailer, Adrian Simpson and the reviewers and audience of FGNancy for their comments and Michelle Wibraham for her help with English. My email address: jp.soehn@uni-jena.de

1.1 Motivation

Idioms are omnipresent in everyday language, enriching our communication with metaphoric imagery and fulfilling various communicative goals.

Nonetheless, they have been widely neglected by linguists developing grammar fragments. And even where an account for idioms has been given, most approaches have their shortcomings (cf. Riehemann, 2001, ch. 4).

In this contribution we want to focus on decomposable and non-decomposable idioms² and discuss technical aspects of an HPSG analysis. For reasons of space we will have to neglect detailed linguistic corpus data. By “idiom” we mean idiomatic expressions that do not form complete sentences as would be the case for e. g. *His bark is worse than his bite*.

- (1) *make waves* (“cause trouble”)
- (2) *spill the beans* (“divulge a secret”)

The expressions in (1) and (2) are instances of decomposable idioms, i. e. their meaning can be derived from the idiom parts. Note that idiom parts are not necessarily to be understood literally. In (1), e. g., we can attribute the meaning “cause” to *make* and “trouble” to *waves*. The idiomatic meaning of the whole idiom consists of the idiomatic meanings of its parts.

Where this is not the case, an idiom is non-decomposable: the meaning of the whole phrase has nothing to do with the meaning of the words the idiom consists of. Consider (3) and (4):

- (3) *saw logs* (“snore”)
- (4) *shoot the breeze* (“chat”)

It is not clear how to assign the meaning “snore” to the words *saw* and *logs*, the same holds for “chat”.

After providing the prerequisites for a revised approach to idioms in the next section, we analyse instances of these idiom classes and discuss previous approaches. Then we briefly sketch how our proposal fits into the overall architecture of HPSG and illustrate this by examining how to merge it with a fronting analysis of German idioms.

1.2 Lexemes and Listemes

Before we present our analysis, we point out a way that enables us to select a specific word. This forms a prerequisite of our approach.

²Cf. Nunberg et al. (1994), e. g., for this distinction.

Idioms often consist of particular words which cannot be substituted by semantically equivalent terms. It seems in general that each word has a unique “identity” with an idiosyncratic behavior. The possibility to select a particular word would, thus, be a useful feature. Up to now, there has been a discussion about the necessity of having such kind of selection. One could argue that any data in question are to be handled as Constructions or collocations. But why impose such a “heavy thing” on an expression like *to furrow one’s brow*? Would it not be plausible that the verb *furrow* simply selects a word of the form *brow*? For perfect tense in German a main verb has to be combined with the right auxiliary (*haben/sein*; in HPSG with the attribute *AUXF*, cf. Heinz and Matiasek, 1994, p. 222). Here one does nothing other than to select a particular lexeme.

A mechanism for selection of lexical elements has to meet three requirements:

1. The information has to be locally available (below *SYNSEM*).
2. The information has to be available along the syntactic projection line.
3. The information must be identical for a pronoun and its antecedent.

Krenn and Erbach (1994) made an important contribution to idiom analysis within the HPSG framework. They suggested selecting particular lexemes via their feature *LEXEME* below *CONTENT INDEX*. This idea of having lexeme information in the *CONTENT* is questionable. A lexeme combines phonetic, morphological, syntactic and semantic properties all together, not only semantic information. Besides, their approach had several technical shortcomings (cf. Soehn and Sailer, 2003). We therefore propose that the *LEXEME* approach has to be discarded.

A different concept that helps to distinguish between individual words is that of a *listeme*³. As the concept holds the characteristic of listedness in a lexicon, we use it in our grammar to identify a particular word or phrase. Thus, we insert *LISTEME* into the feature geometry below *CATEGORY*, emphasizing the morpho-syntactic character of information. More precisely, we put it below *HEAD*. This has two consequences: firstly, it is available for selection, as a *HEAD* value is below *SYNSEM*. Secondly, the *LISTEME* value of a projection is the same as the one of the head, as all *HEAD* features “percolate” according to the *HEAD-FEATURE-PRINCIPLE*. For our *furrow*-example that means

³This term has been introduced by (Di Sciullo and Williams, 1988, p. 1) for a sign that is listed in the lexicon.

that a modified direct object *his heavy brow* still has the same LISTEME value as *brow* alone.

A third question to address is the handling of pronominalization. It is necessary that pronouns have the same LISTEME value as their antecedent.⁴ In Krenn and Erbach's approach this was the major motivation of putting the LEXEME feature in the INDEX. To emulate this quality, we propose a constraint ensuring that each pronoun which is co-indexed with an antecedent takes over its LISTEME value. In the lexical entries of pronouns that value would be left underspecified in that way, that it consists of a disjunction of an identifying value (*she, her, etc.*) and a wildcard: $[\text{LISTEME } she \vee listeme]$. In case of co-indexation the wildcard is identical to the LISTEME value of the antecedent and – by virtue of the constraint – becomes the actual and concrete LISTEME value of the pronoun. An informal description of such a pronoun constraint is illustrated in (5).

(5) PRONOUN-LISTEME-CONSTRAINT:

If a pronoun is co-indexed with an antecedent, it takes over the LISTEME value of that antecedent. Otherwise the LISTEME value of this pronoun is that of the other disjunct.

The value of LISTEME is an atomic sort as *brow, heavy, furrow, take, she* etc. In order to identify listemes for the same words having different meanings, we use numeric indices just as in a dictionary.

In summary, discarding the LEXEME approach, we propose a more adequate solution for the problem of selecting particular words, at least with respect to terminology, technical feasibility and the feature geometry. We introduce a feature LISTEME which is appropriate for the sort *head* taking atomic sorts as its value.

1.3 Licensing Contexts

Getting to the analysis, we have to define a second attribute in the feature geometry. We declare objects of sort *sign* to bear a list-valued feature COLL (Context Of Lexical Licensing), first introduced by Richter and Sailer (1999). The COLLlist may contain objects of sort *barrier*. These *barriers* are particular nodes in the syntactic configuration, like XPs, complete clauses or utterances (a complete clause with an illocutionary force). The concept of barriers is borrowed from the tradition of generative grammar, where these form boundaries for government and binding principles. We avail ourselves of this concept and use similar barriers to restrict the range of influence of the COLLfeature.

⁴E. g. in the phrase *He furrowed it.* the pronoun has the same LISTEME value as its antecedent, satisfying the subcategorizational requirement of the verb.

barrier objects have an attribute LOCAL-LICENSER (LOC-LIC) which has a value of sort *local*. In the lexical entry of an idiomatic word one can thus specify a *barrier* on its COLLlist with a specific *local* configuration. Subsorts of *barrier* are illustrated in figure 1: *complete-clause*, *utterance*, *np*, *vp* and *pp*. The subsorts of *barrier* correspond to nodes in the syntactic tree with particular properties. The relations depicted in figure 2 identify the nodes which relate to the subsorts of *barrier*.⁵

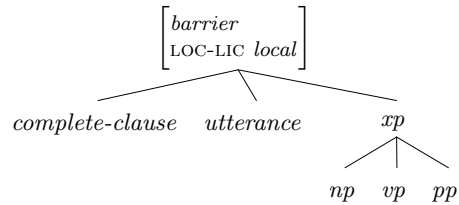


FIGURE 1 Sort hierarchy for *barrier*

The LICENSING-PRINCIPLE (informally in 6) makes sure that if there is a *barrier* specified on a word's COLL list, there is an actual *barrier* in the phrase our word occurs in. This *barrier* must fulfill the *local* requirements and it has to be minimal, i. e., there is no other potential *barrier* of the same kind between the word and the actual *barrier*.

(6) LICENSING-PRINCIPLE (LIP):

For each *barrier* object on the COLL list of a sign x and for each phrase z :

the LOCAL value of z is identical with the LOC-LIC value,
 iff z dominates x , z can be identified as the *barrier* specified and
 z dominates no sign y which in turn dominates x and forms an
 equivalent *barrier*.

In this principle there are three conditions to be satisfied. The first one is simply that there must be a domination relation between the phrase z and the idiomatic element x . The second condition, that a particular *barrier* can be identified, means that one of the relations *is_vp*, *is_complete-clause*, etc. must hold. By the third condition we exclude the case where there is another phrase y between z and x being also a possible *barrier*. Thus, z is always the minimal one.

Hence, a word for which a *barrier* is defined cannot occur elsewhere; its distribution is already specified in the lexical entry.

This concludes the description of technical requirements for our approach to idioms. Note that we have defined quite a small number of

⁵Cf. (Richter, 1997, pp. 68f) for the STATUS feature.

$$\begin{aligned}
 & \forall \mathbb{1} \left(\text{is_utterance}(\mathbb{1}) \leftrightarrow \left[\begin{array}{l} \mathbb{1} \text{ unembedded-phrase} \\ \text{SS} \left[\begin{array}{l} \text{STATUS } complete \\ \text{LOC CAT} \left[\begin{array}{l} \text{HEAD } verb \\ \text{SUBCAT } elist \end{array} \right] \end{array} \right] \\ \text{ILLOCUTION } illocution \end{array} \right] \right) \\
 & \forall \mathbb{1} \left(\text{is_complete-clause}(\mathbb{1}) \leftrightarrow \left[\begin{array}{l} \mathbb{1} \text{ phrase} \\ \text{SS} \left[\begin{array}{l} \text{STATUS } complete \\ \text{LOC CAT} \left[\begin{array}{l} \text{HEAD } verb \\ \text{SUBCAT } elist \end{array} \right] \end{array} \right] \end{array} \right] \right) \\
 & \forall \mathbb{1} \left(\text{is_vp}(\mathbb{1}) \leftrightarrow \left[\begin{array}{l} \mathbb{1} \text{ phrase} \\ \text{SS} \left[\begin{array}{l} \text{STATUS } incomplete \\ \text{LOC CAT} \left[\begin{array}{l} \text{HEAD } verb \\ \text{SUBCAT } nelist \end{array} \right] \end{array} \right] \end{array} \right] \right) \\
 & \forall \mathbb{1} \left(\text{is_np}(\mathbb{1}) \leftrightarrow \left[\begin{array}{l} \mathbb{1} \text{ embedded-phrase} \\ \text{SS} \left[\begin{array}{l} \text{STATUS } incomplete \\ \text{LOC CAT} \left[\begin{array}{l} \text{HEAD } noun \\ \text{SUBCAT } elist \end{array} \right] \end{array} \right] \end{array} \right] \right) \\
 & \forall \mathbb{1} \left(\text{is_pp}(\mathbb{1}) \leftrightarrow \left[\begin{array}{l} \mathbb{1} \text{ embedded-phrase} \\ \text{SS} \left[\begin{array}{l} \text{STATUS } incomplete \\ \text{LOC CAT} \left[\begin{array}{l} \text{HEAD } prep \\ \text{SUBCAT } elist \end{array} \right] \end{array} \right] \end{array} \right] \right)
 \end{aligned}$$

FIGURE 2 Relations for *barrier*-subsorts

new sorts, relations and attributes to be included in the signature. All idiosyncratic information comes from the lexicon, as we will see in the next section.

1.3.1 Decomposable Idioms

Let us show how a decomposable idiom can be analysed with our proposal. Take for instance the idiom in (1) *make waves*⁶. We can assign the meanings “cause” and “trouble” to *make* and *waves* and assume that there are two lexical entries for the idiomatic usage of these words.⁷ The meaning of the whole idiom can be calculated in a regular compositional way.

The idiomatic *make* subcategorizes for a plural noun with the word form *wave* (the idiomatic version) creating a VP with the meaning “cause trouble”.

$$\left[\text{CAT} \left[\begin{array}{l} \text{HEAD} \left[\text{LISTEME } make_3 \right] \\ \text{SUBCAT} \left\langle \text{NP}, \left[\text{LOC} \left[\begin{array}{l} \text{CAT HEAD} \left[\begin{array}{l} \textit{noun} \\ \text{LISTEME } wave_2 \end{array} \right] \\ \text{CONT INDEX NUM } plural \end{array} \right] \right] \right\rangle \end{array} \right] \right] \right]$$

*wave*₂ for its part bears a non-empty COLL list which looks as follows:

$$\left[\text{COLL} \left\langle \left[\begin{array}{l} \textit{vp} \\ \text{LOC-LIC} \left[\text{CAT} \left[\begin{array}{l} \text{HEAD} \left[\begin{array}{l} \textit{verb} \\ \text{LISTEME } make_3 \end{array} \right] \\ \text{SUBCAT} \left\langle \text{NP} \right\rangle \end{array} \right] \right] \right] \right] \right\rangle \right]$$

The distribution of the idiomatic noun *waves* is restricted in that it must be the complement of idiomatic *make*. The LIP makes sure that the specified *vp* on the COLL list is identical to the actual VP containing *make* and *waves*. Defining the barrier as a VP correctly implies that passivization of this idiom is not possible.⁸

Our example *spill the beans*⁹ can be analysed analogously. As we assume regular syntactic composition to be in force, we predict that different specifiers (*some beans*) or modifications (as *some very compromising beans*) are grammatical.

⁶as in “Italian film makes waves” from <http://news.bbc.co.uk/1/hi/entertainment/film/3171907.stm> (All weblinks were found by Google on 01-27-2004)

⁷Other paraphrases of the idiom are “call attention” or “attract interest”. We leave open the exact definition of the meaning and take “cause trouble” as example.

⁸Riehemann found 5 examples out of 243 (2%) where the idiom parts do not occur within the same VP. If one wants to account for those (including passivization and a relative clause) the barrier is simply to be set accordingly.

⁹as in “Tom Cruise has spilled the beans on Nicole Kidman’s relationship with US musician Lenny Kravitz.” from <http://www.smh.com.au/articles/2003/11/29/1070081589377.html?from=storyrhs>

A special case of the idiom not occurring in its canonical form is that of pronominal reference. In fact, pronominalization is quite hard to handle in idiom analysis. Cf. the following example:

- (7) *Eventually she spilled all the beans. But it took her a few days to spill them all.*¹⁰

Here the pronoun *them* refers back to the idiomatic *beans*. As described in section 2 a pronoun has the same LISTEME value as its antecedent, so *them* gets its correct meaning. This being the case, the subcategorization requirements of idiomatic *spill* in both clauses are satisfied. The antecedent of *them* in turn is licensed by its own COLL value stating that the idiomatic *beans* can only occur together with the verb *spill* in its idiomatic use. The barrier is a *complete-clause* which allows e. g. passive or relative constructions. Thus, our proposal can handle pronominalization data, too.

1.3.2 Non-decomposable Idioms

For idioms that have a non-decomposable meaning we define phrasal lexical entries (PLE), according to Sailer (2003) and following the idea of Gazdar et al. (1985). PLEs are lexical entries for syntactically complex expressions. Thus, they have properties of both words and phrases. As words, they are licensed by their lexical entry. As phrases, lexical rules cannot apply to them and syntactic operations like topicalization can be excluded by defining structural requirements in their DTRS attribute.

The semantics of a non-decomposable idiom is defined in its PLE. The parts of such an idiom are licensed by their ordinary lexical entries. In the syntactic structure of a sentence containing such an idiom there is a node where all necessary idiom parts are present. This node is either licensed by regular compositional principles or by a PLE. If a PLE is applied, it replaces the semantics computed so far with its own meaning.

According to standard HPSG assumptions we adopt Immediate Dominance Schemas that license ordinary phrasal signs. In order to exclude the application of ID-Schemas to a phrase licensed by a PLE we can redefine the ID-PRINCIPLE in the following way:

$$\left[\begin{array}{l} \textit{phrase} \\ \text{COLL } e\text{-list} \end{array} \right] \rightarrow \left(\begin{array}{l} \text{HEAD-COMPLEMENT-SCHEMA } \vee \\ \text{HEAD-ADJUNCT-SCHEMA } \vee \\ \text{HEAD-MARKER-SCHEMA } \vee \\ \text{HEAD-FILLER-SCHEMA} \end{array} \right)$$

Accordingly, we have to change all principles of grammar that are

¹⁰(Riehemann, 2001, p. 207)

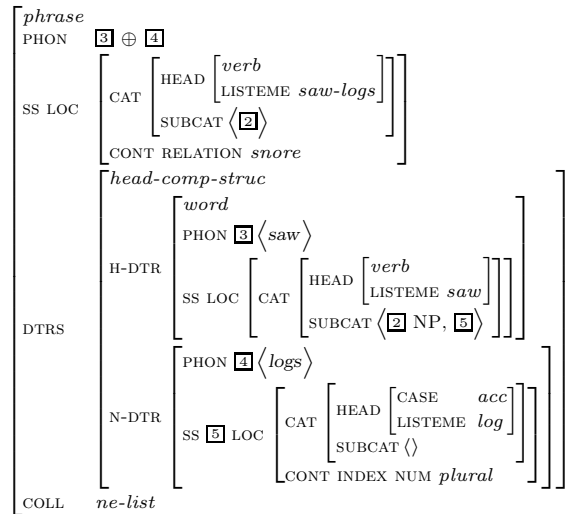
concerned with regular combination of signs (like the HEAD-FEATURE-PRINCIPLE or the SEMANTICS-PRINCIPLE) in such a way that they only apply to phrases bearing an empty COLL list. This can simply be done by adding a line in the antecedent (remember that the principles consist of an implication) stating [COLL *e-list*].

In order to specify which lexical entries must have an empty COLL list, we introduce subsorts of *listeme*, namely the sorts *coll_listeme* and *no_coll_listeme*, and make the following constraint:

$$\left[\begin{array}{l} \textit{sign} \\ \text{SS LOC CAT HEAD LISTEME } \textit{no_coll_listeme} \end{array} \right] \rightarrow [\text{COLL } \textit{elist}]$$

Note that all lexical entries have different values of LISTEME and, conversely, the set of all LISTEME values covers the entirety of lexical entries.

We have now made a distinction between regular phrasal signs which have an empty COLL list and non-regular or idiomatic phrases having a non-empty COLL list.¹¹ Thus, in a PLE of an idiom like (3) *saw logs*¹² we define its COLL list as non-empty. Besides, this idiom cannot be passivized without losing its idiomatic reading. Passivization is already excluded by the nature of the PLE itself: an object in accusative case is required and thus, *logs* can never occur as the subject.



In defining a non-empty COLL value, we provide a unified way to treat

¹¹The distribution of COLL values could be easily constrained by another principle which we omit here for reasons of space.

¹²as in “Two young boys stand by their mother’s bed while she saws logs in her sleep.” from http://www.collegestories.com/filmfrat/igby_goes_down.html

decomposable and non-decomposable idioms, marking their quality of being idiomatic. Parts of decomposable idioms bear a non-empty COLL list, which restricts their occurrence to certain contexts. Nondecomposable idioms also have a non-empty COLL list, exempting them from regular syntactic and semantic principles.

In addition, the occurrence of nondecomposable idioms can be restricted to certain contexts via the same feature. This is important for idiomatic intensifiers, among others, like *as a sandboy* in *to be happy as a sandboy* or *as a kite* in *to be high as a kite*.

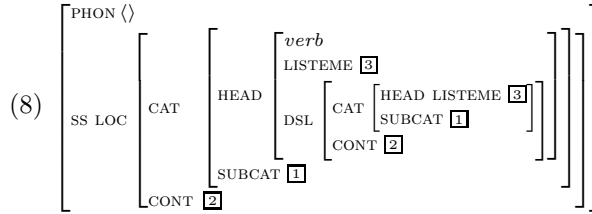
1.4 How does it fit in?

As we have introduced a (rather manageable) number of new sorts, principles and features, and explained how to adapt existing grammar principles to our approach, it is not difficult to imagine how our proposal fits into the overall HPSG Grammar. Non-idiomatic signs bear an empty COLL list and thus are exempt from any consequence of our analysis. In addition, the fact that each word has now a value of its LISTEME feature is only important where an access to LISTEME is needed. At the same time our proposal can be combined smoothly with other modules of grammar not concerning idioms.

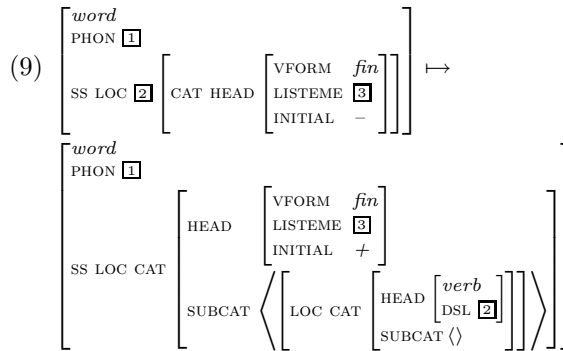
In order not to settle for this mere claim, we will illustrate it by means of an idiom-independent part of grammar – topicalization and verb movement, for instance.

In a declarative sentence in German the finite verb occupies the second position. Such sentences can be derived from verb-last-clauses by movement of the verb. The position in front of the verb is called *Vorfeld* and can contain an argument or an adjunct. The positioning of an element in the *Vorfeld* is usually analyzed as a nonlocal dependency, which accounts for the vast majority of declarative clauses. A verb movement analysis by Borsley and Kiss, which is discussed in Müller (To appear), can account for this phenomenon.

First, a special lexical entry for a verbal trace (8) is introduced, where verbal movement is treated as a local phenomenon. Thus, for a verbal trace there is no application of the standard unbounded dependency analysis (cf. Pollard and Sag (1994)). The *local*-valued feature DSL allows the valence structure of the moved verb to be available along the head projection line. The lexical entry of the verbal trace (slightly adapted from Müller, To appear, p. 22) looks as follows:



Secondly, Müller outlines a lexical rule (9) for a special version of the finite verb which is moved. The verb being licensed by this rule takes the projection of the verbal trace as its argument. A phrase is only grammatical if the valence properties of the verb are identical to those of the verbal trace. The rule takes a verb in non-initial position as input and outputs a verb in initial position (marked by the verb feature INITIAL). The lexical rule for initial verb position (V1-LR, slightly adapted from Müller, To appear, p. 23) is defined in the following way:



To illustrate this analysis together with our approach, we take the German idiom *jemandem den Garaus machen* (to cook so.'s goose, 'to kill someone'). We can roughly state its decomposable meaning as "to put an end to".

- (10) Zucker, Salz, chemische Aromen und Geschmacksverstärker
sugar salt chemical flavors and flavor enhancers
machen dem natürlichen Geschmacksempfinden **den Garaus**.
make the natural taste the end
'Sugar, salt, chemical flavorings and flavor enhancers destroy our natural taste.' <http://www.erichlutz.de/publikationen/globus.html>
- (11) **Den Garaus macht** den Seglern die Langleinenfischerei.
the end makes the sailors the long line fishing
'Long line fishing encroaches upon sailors.' Salzburger Nachrichten, 15.11.2000; Found with COSMAS II by IDS Mannheim

The sentence in (10) shows that the NP can appear detached from the verb. In (11) the NP is fronted and has been extracted from the original VP. The structure of (11) is the following:

(12) [Den Garaus]_i macht_j den Seglern die Langleinenfischerei _{-i -j}.

We can analyse this sentence by means of the standard unbounded dependency analysis, the approach in Müller (To appear) and our proposal. Figure 3 shows the syntax tree of (12) including all relevant information.

Let us begin to explain this figure with the extraction trace. The unbounded dependency analysis involves a lexical entry for a trace where the local value (□) of the extracted element is identical to an element in the INHER SLASH list. The NONLOCAL-FEATURE-PRINCIPLE guarantees that this value “percolates” up the tree. By the HEAD-FILLER-SCHEMA this SLASH value is bound via TO-BIND SLASH because the LOCAL value of the filler is the same as the SLASH value.

Further, the verbal trace attracts the arguments of the moved verb and puts it onto both its SUBCAT list and its DSL CAT SUBCAT list. The HEAD-FEATURE-PRINCIPLE enforces the presence of the DSL value along the head projection line. The verb *machen* for its part is input to the V1-LR (9). The output subcategorizes for a sign (□) whose DSL value is identical to the LOCAL value of the input (□).

This concludes the pure fronting analysis. So far as our proposal is concerned, the important parts are the values of COLL and LISTEME respectively.

The filler *den Garaus* has a COLL value defining a barrier¹³ bearing the LISTEME value *machen*₃. In the structure we have a node (S), which is the minimal barrier above the filler and whose head is exactly of the required LISTEME value. Thus, our LICENSING-PRINCIPLE is satisfied.

By the sort *machen*₃ we refer to an idiomatic verb *machen* with the meaning “to put”. This verb subcategorizes for an NP (with SYNSEM value □) bearing the LISTEME value *garaus* (not depicted in figure 3). As a LOCAL value includes LISTEME, and the LOCAL values of the filler and the gap are identical, the subcategorization requirements of *machen*₃ are satisfied, even though *Garaus* has been extracted. Note that by the identity of the LOCAL value □ and the DSL value of □, the verbal trace has the correct LISTEME value.

¹³We do not specify the barrier to be a VP deliberately. If *den Garaus* occurs *in situ*, a *vp* would be correct, but in this case we have a *complete-clause* (if not even an *utterance*) as barrier. In order to not exclude such fronting cases, the barrier has thus, on the one hand, to be general enough. On the other hand, we can exclude ungrammatical cases of extraction beyond clausal boundaries.

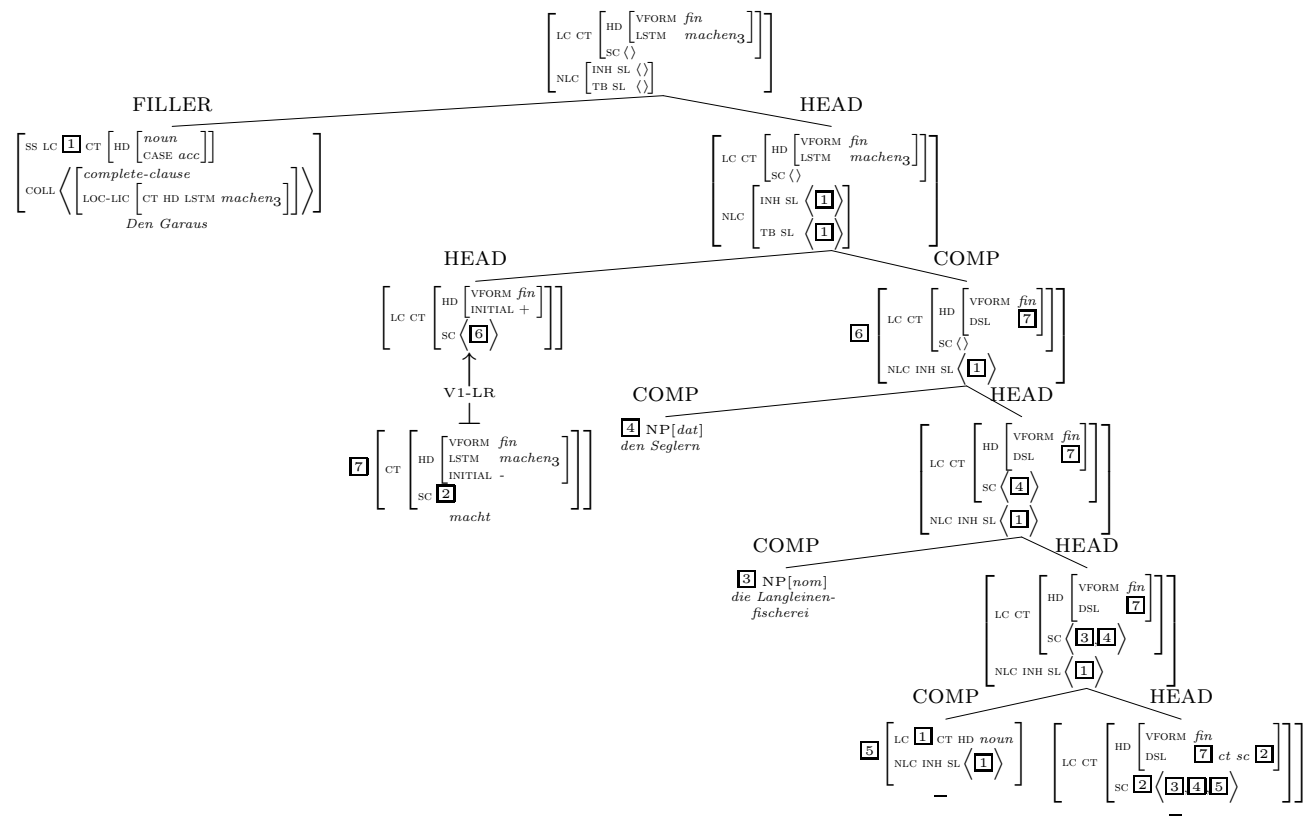


FIGURE 3 Analysis of *Den Garaus macht den Seglern die Langleinenfischerei*

1.5 Alternative Analyses

1.5.1 A Different coll Mechanism

The analysis we suggest here is an enhancement of a proposal by Richter and Sailer (1999). However, in Sailer (2003) the author described a variant of the COLL mechanism: In this thesis, the value of COLL is a singleton list that may contain a sign. That sign is the overall expression in which the idiomatic word occurs. Take for example the idiom *spill the beans*: in the lexical entry of the idiomatic word *beans* its COLL value is specified as a sign containing the semantic contributions of a definite article, the idiomatic word *spill* and *beans* itself in the right scopal relations. Sailer defines the so-called COLL-PRINCIPLE ensuring that the sign specified in a COLL list dominates the sign bearing that list. As a consequence, information of the overall utterance is available at lexical level and, conversely, local information is available on each node in the structure.

Thus, even though Sailer introduces only one new attribute, this approach is very unrestrictive and if one taps its full potential, nearly all grammatical phenomena can be described, even if they have nothing to do with collocations. Selection, e. g., would only be a special case of a collocation. Because of this power and unrestrictedness, that version of COLL is to be met with criticism.

1.5.2 A Constructional Approach

Riehemann (2001) makes another concrete proposal for the analysis of idioms. She adopts many ideas of Construction Grammar and carries them forward to the HPSG framework. Her approach requires a complex machinery of new sorts and attributes to cover not only the amount of existing idioms but also their occurrences in different syntactic configurations. She has to assume, e. g., distinct subsorts of a *spill_beans_idiom_phrase* for the idiom occurring in a *head-subject-phrase* (*Dana spilled the beans.*), in a *head-filler-structure* (*Who did Kim claim spilled the beans?*) or in a *head-specifier-structure* (*the beans that Dana spilled*). Even if the existence of sorts for different constructions is well established in Construction Grammar, it is questionable to assume different subclasses of linguistic signs, only because they contain idiomatic items in different syntactic structures. In other words, why assume different sorts for one single idiom only because it occurs in different constructions?

Moreover, Riehemann herself has to admit that her approach cannot handle cases of pronominal reference like (7), because idiomatic *spill* is not licensed as it seems to appear by itself and not within a

spill_beans_idiom_phrase.

In summary, it seems to us that a lexical approach is to be preferred over a structural one. Nevertheless, her arguments in favor of a constructional analysis of non-decomposable idioms are convincing. Our counterpart to that are phrasal lexical entries which we assume for this kind of idiomatic expressions.

1.6 A Modular Approach: Prospects

We have proposed one way of analyzing idioms and similar lexical idiosyncrasies. It can handle distributional characteristics of idiomatic words and even difficult cases like pronominalization. We have demonstrated by means of topicalization and verb movement that our proposal merges smoothly with other modules of grammar.

We decided to take a word-level collocation-based account using the COLL feature. This approach is modular in two ways. Firstly, the barriers can be adjusted “vertically” according to the range (XP, complete clause or utterance) needed for a particular idiomatic expression. Secondly, by the LOC-LIC feature we can specify any characteristics within the local information. We could now go on and define other attributes of *barrier* like PHON-LIC to define any requirements of the phonetic string of that barrier. In that way our approach is also horizontally modular.

An application of such a PHON-LIC feature would be the modelling of occurrence restrictions of the English indefinite article *an*. This phenomenon together with other cases of sandhi is discussed by Asudeh and Klein (2002). With our approach, we define the lexical entry of *an* as follows: the PHON-LIC value of the barrier *np* on the COLL list is the phonetic string $\langle an \rangle$ + a phonetically realized vowel.

Thus, with a quite general approach to idioms using the COLL feature, we can handle very particular phenomena, too. The COLL module is described more extensively in Soehn (In prep.).

To explore the possibilities that our approach holds may be a matter of further research.

References

- Asudeh, Ash and Ewan Klein. 2002. Shape Conditions and Phonological Context. In F. van Eynde, L. Hellan, and D. Beermann, eds., *Proceedings of the 8th International HPSG Conference*, pages 20–30. CSLI Publications. <http://csli-publications.stanford.edu/HPSG/2/>.
- Di Sciullo, Anna-Maria and Edwin Williams. 1988. *On the Definition of Word*. Linguistic Inquiry Monographs. MIT Press, Cambridge, Mass, 2nd edn.

- Gazdar, Gerald, Ewan Klein, Geoffrey Pullum, and Ivan Sag. 1985. *Generalized Phrase Structure Grammar*. Cambridge, Mass.: Harvard University Press.
- Heinz, W. and J. Matiasek. 1994. Argument Structure and Case Assignment in German. In J. Nerbonne, K. Netter, and C. Pollard, eds., *German in Head-Driven Phrase Structure Grammar*, pages 199–236. CSLI Publications. Lecture Notes 46.
- Krenn, Brigitte and Gregor Erbach. 1994. Idioms and Support Verb Constructions. In J. Nerbonne, K. Netter, and C. Pollard, eds., *German in Head-Driven Phrase Structure Grammar*, pages 365–396. CSLI Publications. Lecture Notes 46.
- Müller, Stefan. To appear. Zur Analyse der scheinbar mehrfachen Vorfeldbesetzung. *Linguistische Berichte* URL: <http://www.cl.uni-bremen.de/~stefan/Pub/mehr-vf-lb.html>; 16.01.2004.
- Nunberg, Geoffrey, Ivan A. Sag, and Thomas Wasow. 1994. Idioms. *Language* 70:491–538.
- Pollard, Carl and Ivan A. Sag. 1994. *Head-Driven Phrase Structure Grammar*. Stanford University: CSLI/The University of Chicago Press.
- Richter, Frank. 1997. Die Satzstruktur des Deutschen und die Behandlung langer Abhängigkeiten in einer Linearisierungsgrammatik. Formale Grundlagen und Implementierung in einem HPSG-Fragment. In E. Hinrichs, D. Meurers, F. Richter, M. Sailer, and H. Winhart, eds., *Ein HPSG-Fragment des Deutschen, Teil 1: Theorie*, no. 95 in Arbeitspapiere des SFB 340, pages 13–187. Universität Tübingen.
- Richter, Frank and Manfred Sailer. 1999. LF conditions on expressions of Ty2: An HPSG analysis of negative concord in Polish. In R. D. Borsley and A. Przepiórkowski, eds., *Slavic in Head-Driven Phrase Structure Grammar*, pages 247–282. Stanford: CSLI Publications.
- Riehemann, Susanne Z. 2001. *A Constructional Approach to Idioms and Word Formation*. Ph.D. thesis, Stanford University, Stanford, CA.
- Sailer, Manfred. 2003. Combinatorial Semantics and Idiomatic Expressions in Head-Driven Phrase Structure Grammar. Phil. Dissertation (2000). Arbeitspapiere des SFB 340. 161, Eberhard-Karls-Universität Tübingen.
- Soehn, Jan-Philipp. In prep. "Über Bärendienste und erstaunte Bauklötze". *Idiome ohne freie Lesart in der HPSG*. Phd thesis, Friedrich-Schiller-Universität Jena.
- Soehn, Jan-Philipp and Manfred Sailer. 2003. At first blush on tenterhooks. about selectional restrictions imposed by nonheads. In G. Jäger, P. Monachesi, G. Penn, and S. Wintner, eds., *Proceedings of Formal Grammar 2003*, pages 149–161.